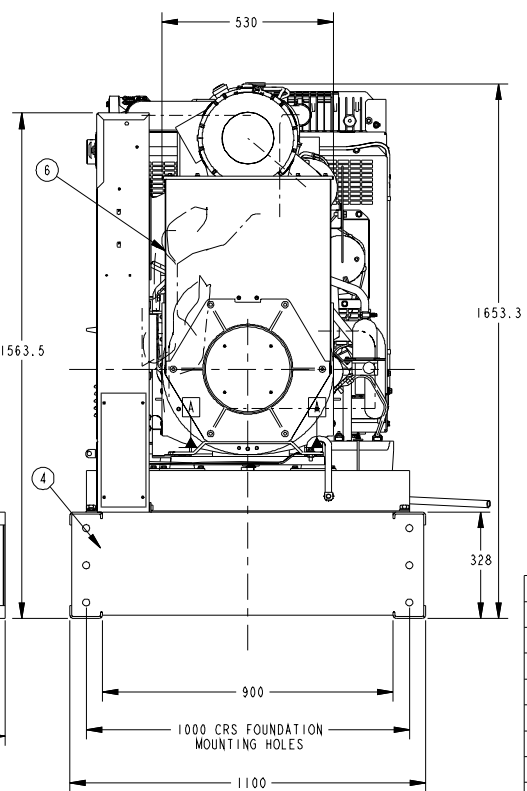
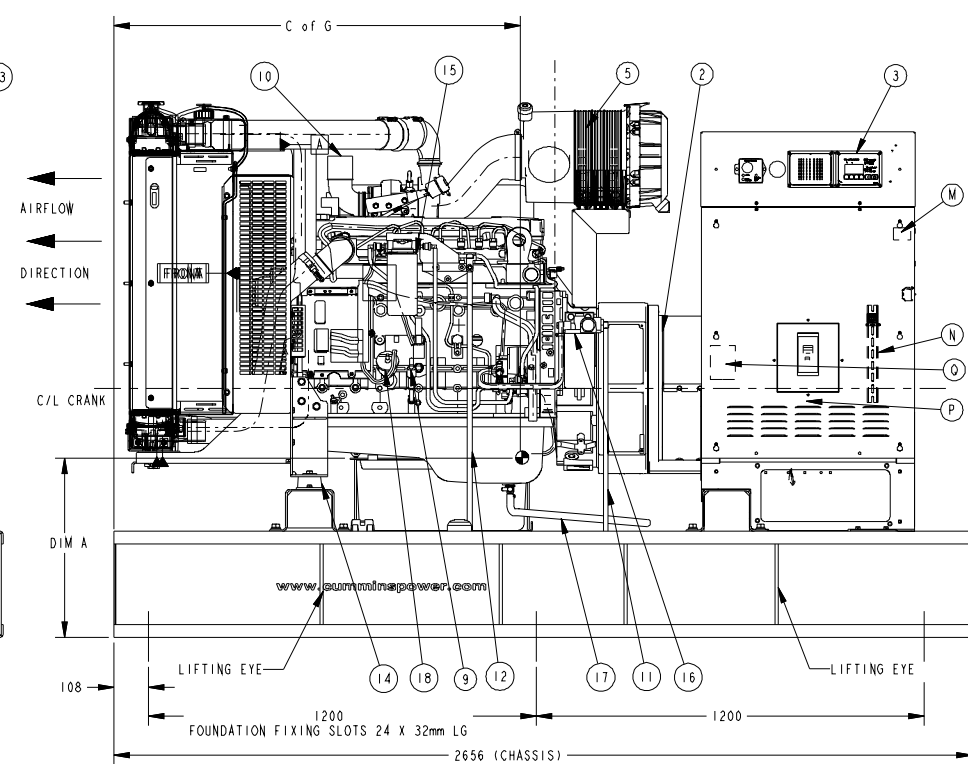
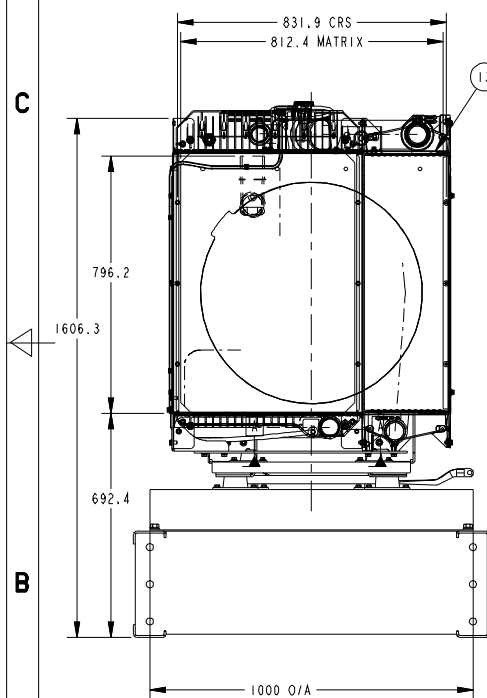
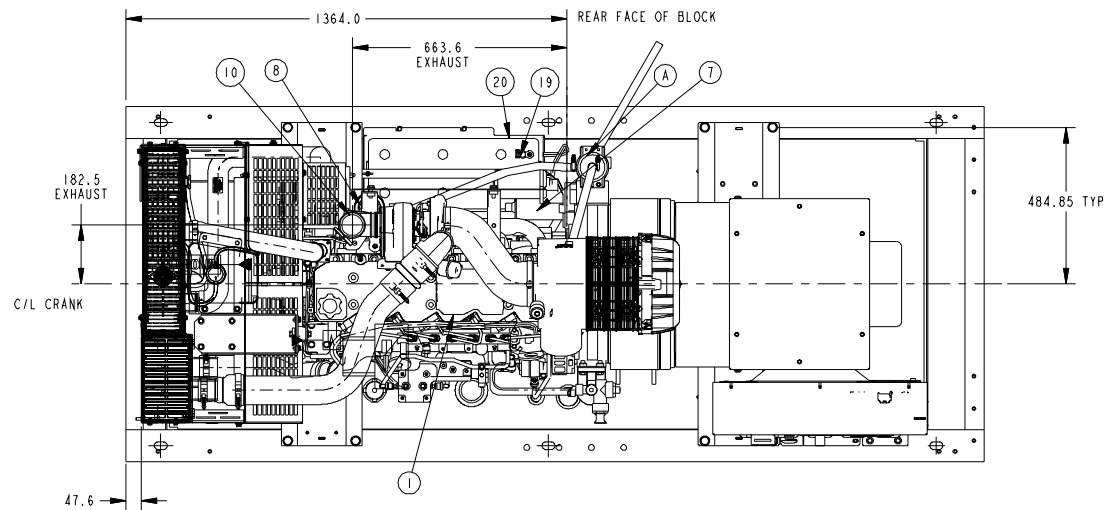


0500-4679 A1 PRO/ENGINEER

REL NO	LTR	NO	REVISION	ZONE	DR	CHKR	APPROVED	DATE
ERK13976	A	1	PRODUCTION RELEASE	-	MD	SB	MATTHEWS	15/01/07
ERK14230	B	1	RADIATOR DIMS CHANGED, SEE ECO FOR DETAILS	-	MD	SB	WHITING	25/04/07
		2	C OF G DETAILS FOR ALTERNATOR UC274E ADDED	6A	MD	SB	WHITING	25/04/07
		3	WT WITH DRY ENGINE ADDED	5A	MD	SB	WHITING	25/04/07



AVAILABLE OPTIONS (NOT SHOWN UNLESS STATED)

ITEM	DESCRIPTION
A	COOLANT HEATER (SHOWN)
B	EXHAUST BELLOWS
C	EXHAUST FIXING KIT
D	INLINE ENTRY 9dB SILENCER
E	SIDE ENTRY 9dB SILENCER
F	INLINE ENTRY 25 dB SILENCER
G	SIDE ENTRY 25 dB SILENCER
H	INLINE ENTRY 35 dB SILENCER
J	SIDE ENTRY 35 dB SILENCER
K	FUEL TRANSFER PUMP
L	TOOLKIT
M	BATTERY CHARGER (SHOWN)
N	AUXILLARY SUPPLY 115-230V (SHOWN)
P	LOAD CONNECTIONS (SHOWN)
Q	MAIN EARTH CONNECTION (SHOWN)

QTY	ITEM	PART NO	DWG SIZE	DESCRIPTION OR MATERIAL
1	20	-	-	BATTERY (12V 1100 CCA)
1	19	-	-	BATTERY TRAY & LEADS
1	18	-	-	OIL FILLER
1	17	-	-	SUMP DRAIN
1	16	-	-	FUEL/WATER SEPERATOR
1	15	-	-	FUEL FILTER
4	14	-	-	RESILIENT MOUNTINGS
1	13	-	-	RADIATOR 50°C
1	12	-	-	FUEL LINE RETURN-3/8" 1/D
1	11	-	-	FUEL LINE INLET 3/8" 1/D
1	10	-	-	EXHAUST OUTLET (4" O/D)
1	9	-	-	OIL LEVEL DIPSTICK
1	8	-	-	LUB-OIL FILTER
1	7	-	-	12V STARTER - FARSIDE
1	6	-	-	CONTROL HOUSING
1	5	-	-	AIR CLEANER (HD)
1	4	-	-	CHASSIS
1	3	-	-	CONTROL PANEL PCC1302
1	2	-	-	ALTERNATOR-CGT UC274
1	1	-	-	ENGINE-QSB7-G3

ENGINE	ALTERNATOR	WT WITH WET ENGINE Kg	WT WITH WET ENGINE & FUEL Kg	WT WITH DRY ENGINE Kg	DIM A	C of G
OSB7-G3	UC274G	1556	2121	1517	630	1446
OSB7-G3	UC274F	1506	2071	1467	625	1430
OSB7-G3	UC274E	1462	2027	1423	619	1419

DO NOT SCALE PRINT

ANG TOL ± 1.0°	SCALE OF: 1:10	TOLERANCE UNLESS STATED ALL DIMENSIONS IN MM	SIN TO	COPYED	LESON	THIRD ANGLE	PROJECTION
0.01	0.01	0.01	0.01	0.01	0.01	0.01	0.01

DRW	DATE	CHK	DATE	APP	DATE
M DIXIT	15/01/07	S BAVISKAR	15/01/07	J MATTHEWS	15/01/07

**CUMMINS POWER GENERATION**  
COLUMBUS AVENUE, MANSTON, RANSGATE  
KENT, CT12 5BF, ENGLAND, UK

TITLE: GENSET OUTLINE (OPEN SET)

PGK: 0500-4679

SHEET: 1 of 2